



S. P. AIR TOOLS PVT. LTD.

MFG. OF INDUSTRIAL AUTOMATION, PNEUMATIC & HYDRAULIC EQUIPMENTS



MAKE IN INDIA

GENERAL CATALOGUE 04

SINGLE STAND HOSE REEL



Spring Rewind Hose Reel

SERIES - 7000

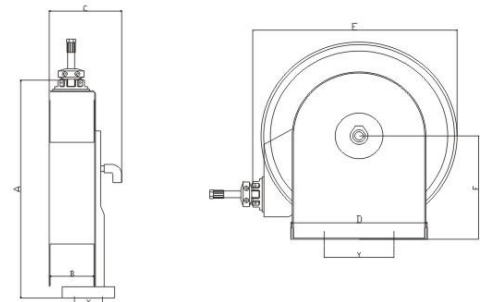
For: - Air, Water, Oil, Grease



- * Single Stand Steel Frame Construction
- * Hose Reels are made of heavy guage, high quality steel fabricated and compact design.
- * The sturdy all welded frame base provides extra strength to handle the extra weight without loosing performance.
- * High-Quality Spring for Long-life of Coil spring, SS ratchet spring & non-corrosive ratchet.
- * Full-Flow Shaft and Swivel Rotary to Maximize Fluid flow with minimum pressure drop for faster fills.
- * Standard Swivel inlet : 90° with 1/2" bsp male thread size & outlet 1/2" bsp male .
- * Swivel Rotary Seal - PU Seal
- * Multi-Position Lock Ratchet Secures Hose at desired length
- * Final Finishing / Painting: powder coated as standard red colour. (Other colours are available when you requested)
- * All materials is carbon steel as standard.
- * Standard working pressure 200 bar. (available upto 550 bar)
- * 2 Years manufacturers waranty.

Application

- * Manufacturing industry in all sector for Pneumatic tool, assembly line and other general industrial operations
- * Municipal Corporations, Garage Workshops for lubrication, washing
- * Oil management systems for multi point



Model No. For Spring Rewind	Hose size & Length				Net Wt.	REEL DIMENSION							
	I.D.	6.4 mm	9.5 mm	12.7 mm		A	B	C	D	E	F	X	Y
	O.D.	13.2 mm	17.2 mm	20.2 mm									
OMP-7-141205		10 mtr	10 mtr	5 mtr		384	100	220	270	435	215	80	220
OMP-7-141210		15 mtr	15 mtr	10 mtr		406	100	220	300	500	245	120	210
OMP-7-141215		20 mtr	20 mtr	15 mtr		568	100	220	300	560	270	120	220
OMP-7-141220		25 mtr	22 mtr	20 mtr		568	130	250	300	560	270	120	220

NOTICE: A flexible connector must be used between the inlet pipe and the inlet swivel joint.

DUAL STAND HOSE REEL



HEAVY DUTY SPRING REWIND HOSE REEL

SERIES - 8000

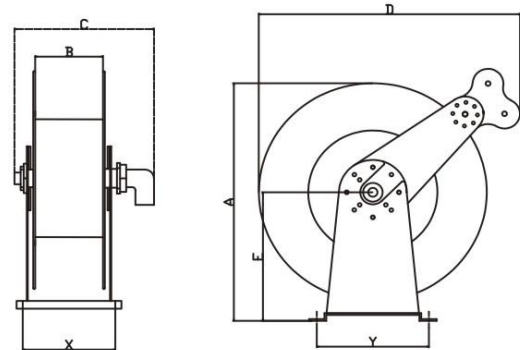
For: - Oil, Water, Air, hydraulic, Grease



- * Double Stand Steel Frame Construction
- * All hose Reels are made of heavy guage , high quality steel fabricated and compact design.
- * The sturdy all welded frame base provides extra strength to handle the extra weight without loosing performance, More suitable in mobile applications
- * Dual frame, guide plate and 4-way roller assembly..
- * High-Quality Spring for Long-life of Coil spring, SS ratchet spring & non-corrosive ratchet.
- * Full-Flow Shaft and Swivel Rotary to Maximize Fluid flow with minimum pressure drop for faster fills.
- * Standard Swivel inlet : 90° with 1/2" bsp male thread size & outlet 1/2" bsp male .
- * Swivel Rotary Seal - PU Seal
- * Multi-Position Lock Ratchet Secures Hose at desired length
- * Final Finishing / Painting: powder coated as standard red colour (Other colours are available when you requested)
- * All materials is carbon steel as standard (Stainless hose reels materials are available when you requested)
- * Standard working pressure 200 bar. (available upto 690 bar)
- * 2 Years manufacturers waranty.

Application

- * Manufacturing industry in all sector
- * Municipal Corporations, Garage Workshops
- * Oil management systems
- * Mobile serice van



Model No. For Spring Rewind	Hose size & Length				Net Wt.	REEL DIMENSION						
	I.D. O.D.	6.4 mm 13.2 mm	9.5 mm 17.2 mm	12.7 mm 20.2 mm		A	B	C	D	E	X	Y
OMP-8-141205		10 mtr	10 mtr	5 mtr	400	100	225	401	225	120	200	
OMP-8-141210		15 mtr	15 mtr	10 mtr	475	100	225	471	260	120	240	
OMP-8-141215		20 mtr	20 mtr	15 mtr	520	100	225	500	290	120	240	
OMP-8-141220		25 mtr	25 mtr	20 mtr	520	130	255	500	290	150	240	
OMP-8-141225		30 mtr	30 mtr	25 mtr	520	170	295	500	290	175	240	
OMP-8-001230		—	—	30 mtr	590	170	295	550	325	175	240	

NOTICE: A flexible connector must be used between the inlet pipe and the inlet swivel joint.

- * Reel Dimension are subject to change.
- * X & Y Indicates Mounting holes.

OXYGEN-ACETYLENE HOSE REEL



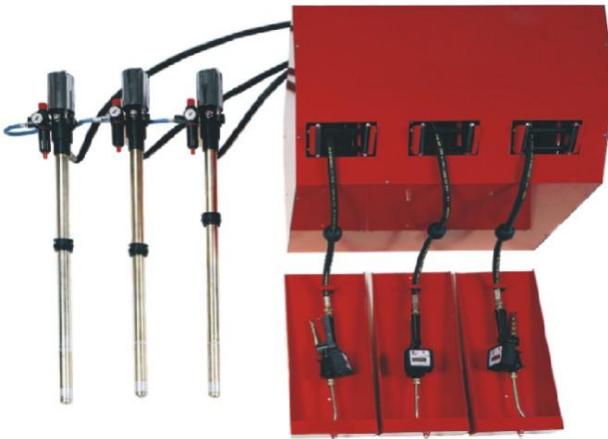
Designed to be used at work sites where the movable container of oxygen, LPG, Acetylene and etc are being handled. able to load any kinds of above-listed gas container also designed to never be fallen down, Leakproof even on the maximum pressure(15kg/cm²) and on the lowest pressure also convenient to handle the gas hose



OXYGEN-ACETYLENE HOSE REEL

Art No.	Model No.	Hose			W/P
		Material	ID (MM)	Length/mtr	
620	SP 620	Rubber hose	6	upto 30	10
620	SP 820	Rubber hose	8	upto 30	10
808	SP 815	Rubber hose	6	15	10
808	SP 820	Rubber hose	8	20	10

Oil Distribution Unit



Three seats Oil distribution unit, composed by:

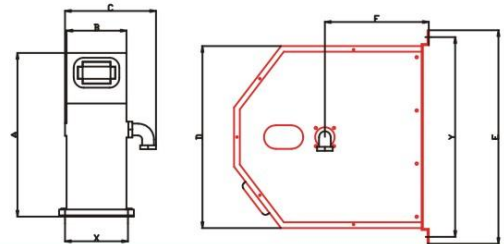
- ★ 3 No. pneumatic pumps R. 3:1
- ★ 3 No. pump adaptors for drums
- ★ 3 No. automatic hose reels
- ★ 3 No. rubber hoses L. 10 mt, 1/2"
- ★ 3 No. connection hose L. 2 mt
- ★ 3 No. digital oil meter guns
- ★ 3 No. no-spillage brackets
- ★ 3 seats cabinet

Spring Rewind Closed Hose Reel



SERIES - 9648

For: - Air, Water, Oil, Grease



Model No. For Spring Rewind	Hose size & Length			Net Wt.	REEL DIMENSION								
	I.D.	6.4 mm	9.5 mm		12.7 mm	A	B	C	D	E	F	X	Y
	O.D.	13.2 mm	17.2 mm	20.2 mm									
OMP-9-141205		10 mtr	10 mtr	5 mtr	415	145	220	386	446	218	120	420	
OMP-9-141210		15 mtr	15 mtr	10 mtr	500	130	225	460	520	265	130	500	
OMP-9-141215		20 mtr	20 mtr	15 mtr	530	165	240	515	580	292	150	555	
OMP-9-141220		25 mtr	22 mtr	20 mtr	530	215	290	515	580	292	205	555	

NOTICE: A flexible connector must be used between the inlet pipe and the inlet swivel joint.

* Reel Dimension are subject to change.

* X & Y Indicates Mounting holes.



Air Operated Grease Pumps

Pneumatic Pumps for Grease dispensing at short distance, Output Pressure 400 bar at Min . 2 - Max. 8 bar Air Pressure, Compression Ration 50:1, Pumps available for Drums

Art No.4180

Capacity	Art No.	Flow Rate	Air consumption
16-18 Kg.	4118	1.36 Kg./Min	115 L/Min.
20-30 Kg.	4120	1.36 Kg./Min	115 L/Min.
50- 60 Kg.	4160	1.36 Kg./Min	115 L/Min.
180 Kg.	4180	1.36 Kg./Min	115 L/Min.

Pneumatic Pumps for Grease dispensing at short distance, Output Pressure 800 bar at Min . 2 - Max. 8 bar Air Pressure, Compression Ration 100:1, Pumps available for Drums

Art No.4181

Capacity	Art No.	Flow Rate	Air consumption
16-18 Kg.	4119	0.78 Kg./Min	115 L/Min.
20-30 Kg.	4121	0.78 Kg./Min	115 L/Min.
50- 60 Kg.	4161	0.78 Kg./Min	115 L/Min.
180 Kg.	4181	0.78 Kg./Min	115 L/Min.



Grease Gun With Digital Display

Grease Gun With Flexible Pipe



Grease Gun With C.S. Pipe

Grease Gun Accessories



Note: Pumps are available for High Volume upto 10.5 Kg/Min. Dispensing Grease at short Distance.

Air Operated Oil Pumps

Pneumatic Pumps for Low, Medium & High Volume low viscosity oil dispensing at short distance, Output Pressure upto 21 bar at Min . 2 - Max. 8 bar Air Pressure, Compression Ration 1:1, 3:1 & 5:1, Pumps available for Drums
Flow rate at upto 48 Ltr./min.



Oil Gun With Flexible Rubber Pipe



Oil Gun With C.S. Pipe



Oil Gun With Digital Meter Display

Drum Type	< 20 Mt Dis.	> 20 Mt Dis.	> 100 Mt Dis.
50 Ltr.	2143	2130	2135
200 Ltr.	2120-2140	2120-2173	2125-2175
1000 Ltr.	2120130	2120130	2125130

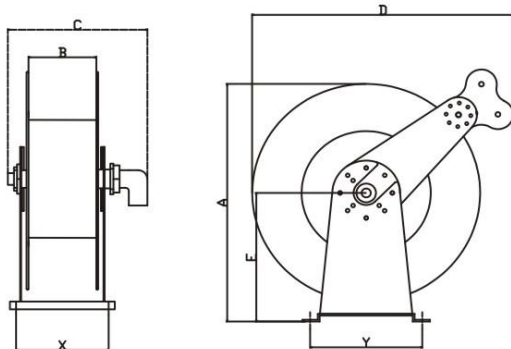
Note: Please visit our website for more detailed about Oil & Grease Pumps.

SPRING REWIND FUEL REEL



TYPE AV8000

Suitable for 3/4" I.D. & 1" I.D. Fuel Hose



Construction:-

- * Dual stand heavy-duty steel stand.
- * All materials is carbon steel as standard (Stainless hose reels materials are available when you requested)
- * High-Quality Spring for Long-life of Coil spring, SS ratchet spring & non-corrosive ratchet.
- * Standard hose reel Swivel inlet: 90° in stainless steel with 1" BSP F thread.
- * Standard hose reel outlet: 1" BSP F thread.
- * Full-Flow Shaft and Swivel Rotary to Maximize Fluid flow with minimum pressure drop for faster fills.
- * Hose reel inlet, outlet & shaft assembly in stainless steel other material upon request.
- * Multi-Position Lock Ratchet Secures Hose at desired length
- * 1 piece forged shaft assembly.
- * Standard working pressure upto 600 psi
- * 2 Years manufacturers warranty.

Model No.	Hose size & Length			Net Wt.	REEL DIMENSION						
	I.D.	19 mm	25 mm		A	B	C	D	E	X	Y
	O.D.	33 mm	40 mm								
AV1910-2508		10 mtr	8 mtr		572	130	300	548	305	150	280
AV1915-2510		15 mtr	10 mtr		572	170	335	548	305	175	280
AV1920-2515		20 mtr	15 mtr		572	170	335	548	305	175	280

NOTICE: A flexible connector must be used between the inlet pipe and the inlet swivel joint.

* Reel Dimension are subject to change.

* X & Y Indicates Mounting holes.



MANUAL or POWER REWIND HOSE REEL

TYPE AV1"

Fuel Dispensing

Suitable for 1" I.D. Fuel Hose



Construction:-

- * Industrial heavy-duty steel frame
- * Hose reel can be used either manual hand gear-driven or with an electric dc, hydraulic motor.
- * Motorized hose reel supplied with chain & sprocket with pinion brake.
- * Standard hose reel Swivel inlet: 90° in stainless steel with 1" BSP F thread.
- * Standard hose reel outlet: 1" BSP F thread.
- * Hose reel inlet, outlet & shaft assembly in STAINLESS STEEL.
- * single piece forged shaft assembly.
- * Standard working pressure upto 1000 psi

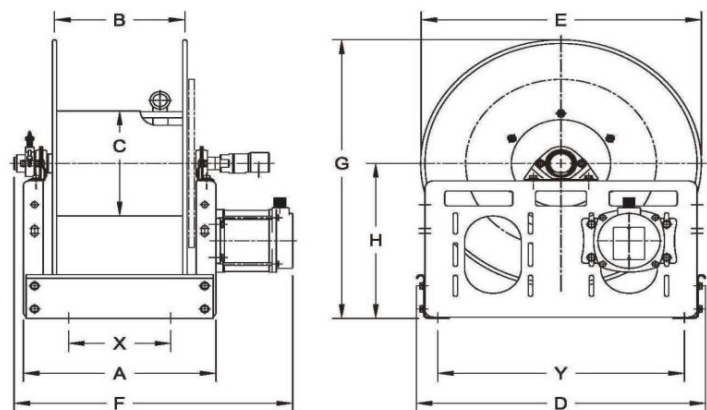
Model No. Manual Rewind	For	Model No. For Motor Rewind	Hose size & Length		Net Wt.	REEL DIMENSION									
			I.D. O. D.	25 mm 40 mm		A	B	C	D	E	F	G	H	X	Y
AV-0120-MR		AV-0120-M		18 mtr	330	195	275		635	520	723	395	195	545	
AV-0130-MR		AV-0130-M		30 mtr	390	255	275		635	580	723	395	255	545	
AV-0140-MR		AV-0140-M		40 mtr	500	365	275		635	690	723	395	365	545	
AV-0150-MR		AV-0150-M		50 mtr	570	435	275		635	760	723	395	435	545	

Note: Flexible hose must be used between hose reel inlet & main inlet pipe

* Reel Dimension are subject to change.

* X & Y Indicates Mounting holes.

* On Request Reel can be Supplied with other diameter of hoses & Length



06

MANUAL OR POWER REWIND HOSE REEL



TYPE AV1 1/2-2"

Fuel Dispensing

Suitable for 1 1/2" I.D. & 2" Fuel Hose



Construction:-

- * Industrial heavy-duty steel frame
- * Hose reel can be used either manual hand gear-driven or with an electric dc, hydraulic motor.
- * Motorized hose reel supplied with chain & sprocket with pinion brake.
- * Standard hose reel Swivel inlet: 90° in aluminium with 2" BSP F thread.
- * Standard hose reel outlet: 2" BSP F thread.
- * Hose reel inlet, outlet & shaft assembly in aluminium other material upon request.
- * Standard working pressure upto 600 psi

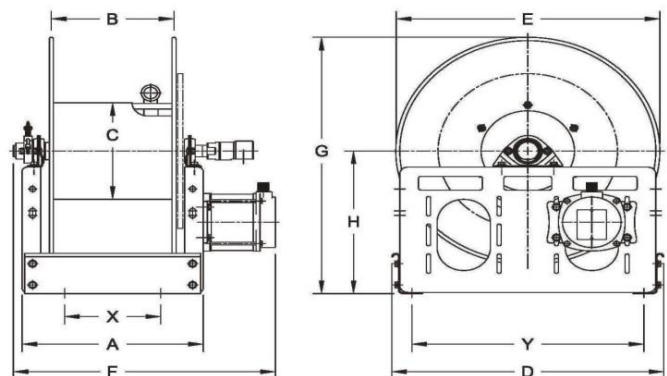
Model No.	For	Model No.	Hose size & Length			Net	REEL DIMENSION											
			I.D.	38 mm	51 mm		Wt.	A	B	C	D	E	F	G	H	X	Y	
			O. D.	52 mm	65 mm													
AV-3820-5115-MR		AV-3820-5115-M		30 mtr	15 mtr		540	435	400	685	655	790	672	345	400	590		
AV-3827-5120-MR		AV-3820-5120-M		40 mtr	20 mtr		720	564	400	685	655	920	672	345	531	590		

Note: Flexible hose must be used between hose reel inlet & main inlet pipe

* Reel Dimension are subject to change.

* X & Y Indicates Mounting holes.

* On Request Reel can be Supplied with other diameter of hoses & Length



SPRING REWIND AIR HOSE REEL



Auto Rewind Air Hose Reel (Sheet Metal Series)



Art No.2000



Swivel Bracket for Hose Reel

Art No.	Model No.	Hose Size		Max. Tube Length	Max. Pressure	Mounting Option		M.O.C
		ID MM	OD MM			Hook	Ceiling	
2000	AHR 2440	5.5	8	8 Mtr	10 Kg.	Yes	No	C.S.
3000	AHR 2445	5.5	8	15 Mtr	10 Kg.	Yes	No	C.S.
3000	AHR 2450	5.5	8	20 Mtr	10 Kg.	Yes	No	C.S.
2000	AHR 2460	8	12	4.5 Mtr	10 Kg.	Yes	No	C.S.
3000	AHR 2465	8	12	8 Mtr	10 Kg.	Yes	No	C.S.
3000	AHR 2470	8	12	10 Mtr	10 Kg.	Yes	No	C.S.
3000	AHR 2475	8	12	15 Mtr	10 Kg.	No	Yes	C.S.
3000	AHR 2480	8	12	20 Mtr	10 Kg.	No	Yes	C.S.
3000	AHR 2585	10	14	10 Mtr	08 Kg.	No	Yes	C.S.
3000	AHR 2590	10	14	15 Mtr	08 Kg.	No	Yes	C.S.
3000	AHR 2500	10	14	20 Mtr	08 Kg.	No	Yes	C.S.
3000	AHR 2510	12	16	10 Mtr	08 Kg.	No	Yes	C.S.
3000	AHR 2515	12	16	15 Mtr	08 Kg.	No	Yes	C.S.

Auto Rewind Air Hose Reel (Plastic Series)



Art No.	Model No.	Hose Size		Max. Tube Length	Max. Pressure	M.O.C
		ID MM	OD MM			
9200/6	SP 92006	6	8	6.5 Mtr	12 Kg.	Plastic
820/6	SP 82006	6	8	11 Mtr	15 Kg.	Plastic
820/8	SP 82008	8	12	10 Mtr	15 Kg.	Plastic
815/8	SP 81508	8	12	16 Mtr	15 Kg.	Plastic
815/10	SP 81510	10	14	16 Mtr	15 Kg.	Plastic
711/L	SP 711L	12	16	16 Mtr	10 Kg.	Plastic

08

SPRING REWIND STATIC DISCHARGE REEL



TYPE AV3000

SP Closed & Compact model reels are more suitable for storage of static grounding cable with quick payout and automatic spring rewind. Designed for safe and reliable grounding of vehicles, aircraft, and other equipment requiring static bonding. Reels are manufactured with sheet metal. These reels are standard supplied with 10, 15, 20, 25 or 30 Mtr. of Yellow/Red PVC coated galvanised/SS steel/Copper cables. Finished in a Blue colour powder coating for all models. It comes with latching lock of cable at 500mm length.

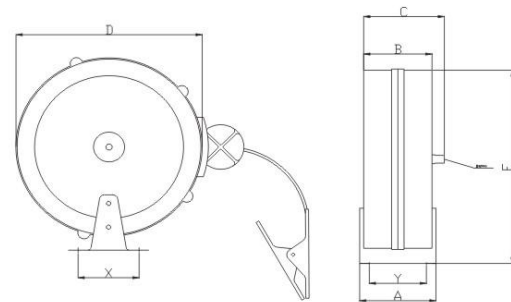


FEATURES:-

- * Fully automatic spring rewind
- * Non-sparking latching
- * Standard 4mm stainless steel wire with pvc coated 7x7 standard
- * 100 amp grounding clamp
- * Electrical Resistance – Max 10 Ohms between damp and mounting base.
- * Metal housing with MIL grade blue colour powder coated (other colour available on request)

Application:-

- Fuel tank loading-unloading static grounding
- Airplane fuel filling static grounding
- Utility vehicle static grounding
- Maintenance shops
- Any place where static might build up



Model No.	Cable Length	Net Wt.	REEL DIMENSION						
			A	B	C	D	E	X	Y
SP SDR-10 CS	10 mtr		120	96	115	290	300	70	58
SP SDR-15 CS	15 mtr		120	96	115	290	300	70	58
SP SDR-20 CS	20 mtr		135	106	125	325	335	85	100
SP SDR-25 CS	25 mtr		135	106	125	325	335	85	100
SP SDR-30 CS	30 mtr		135	106	125	325	335	85	100

SPRING REWIND CABLE REEL



Cable Reel With Lamps



Art No. 5908



Art No. 5907

Reel Features :

- ★ Auto Rewind Cable Reels for wall mounting equipped with Lamp.
- ★ Available in 2 Version with Transformer & without Transformer.
- ★ Structural elements of cable reel in Shock resistant
- ★ Plastic Material,
- ★ Ratchet lock,
- ★ Wiping contacts with collector ring & brushes.

Art No.	Model No.	Description	Length	Transfo Feature	Cable Type	Max. Voltage	Max. watt Bulb
5907/AM8	SP 5907 AM8	Cable reel with Fluo. Lamp AM8 230V	15.5 (14+1.5)	No	H05 RN-F	230 V	11 W
5907/328	SP 5907 328	Cable reel with Fluo. Lamp 230V	15.5 (14+1.5)	No	H05 RN-F	230 V	11 W
5907/329	SP 5907 329	Cable reel with LED Lamp 230V	15.5 (14+1.5)	No	H05 RN-F	230 V	30 LED
5908/AM8	SP 5908 AM8	Cable reel with Transfo. + Lamp AM8 24V	15.5 (14+1.5)	Input 230, output:24v	H05 RN-F	230 V	11 W
5908/328	SP 5908 328	Cable reel with Transfo. + Lamp 328 24V	15.5 (14+1.5)	Input 230, output:24v	H05 RN-F	230 V	11 W
5908/329	SP 5908 329 24V	Cable reel with Transfo. + LED 329 24V	15.5 (14+1.5)	Input 230, output:24v	H05 RN-F	230 V	30 LED

Cable Reel



Art No. 4315



Art No. 605

Reel Features :

- ★ Shock Resistant Plastic External Case
- ★ Ratchet Lock every 50 cm, Easily removed if constant traction of cable is required. Double earth Contact.
- ★ Thermal protector Against overload Collector insulation Power 2,5 Kv.
- ★ Slipping with Brass rings & brushes.
- ★ Available both with PVC & Rubber cable.

Art No.	Model No.	No. of conductor	conductor Sec.	Length	Cable Diameter	Voltage Input	Thermal Protector	Max. Voltage	Cable Type
9004	SP 9004	3 G	1.5 MM	5+1	8.5 MM	230 V	Yes	500 A.C	H05VV-F
5827/XF	SP 5827	3 G	1.5 MM	10+1.5	8.5 MM	230 V	Yes	500 A.C	H05VV-F
4315/RNF	SP 4315	3 G	1.5 MM	14+1	8.5 MM	230 V	Yes	500 A.C	H05VV-F
6328	SP 6328	3 G	1.5 MM	10+0.9	8.5 MM	230 V	Yes	500 A.C	H05VV-F
605/CR	SP 605	3 G	1.5 MM	15+1.5	8.5 MM	230 V	Yes	500 A.C	H05VV-F
6252/CR	SP 6252	3 G	1.5 MM	25+1.5	8.5 MM	230 V	Yes	500 A.C	H07RN-F

HEAVY DUTY CABLE REELS



Arc Welding Reel (AWR)



Art No.2320

Auto Rewind Arc Welding Reel(AWR) provides a quick connection to your welder. In Heavy duty working place using Co2 welder like machinery assembly AWR is very efficient by preventing hazardous & reducing fatigues of workers when extending & retrieving heavy cable also economical by making life of cable longer . Reels are available in manual driven and upto 400 AMPS.

Art No.	Model No.	Cable Specification	Length.(Mtr.)
2320	SP 2320	25 SQ.MM X 1 C X W/H	upto 30
2320	SP 3920	35 SQ.MM X 1 C X W/H	upto 30
2320	SP 7120	70 SQ.MM X 1 C X W/H	upto 20
2320	SP 9115	95 SQ.MM X 1 C X W/H	upto 15

Auto Rewind Cable Reel With Slipping



Auto Rewind Cable Reel ideal for small diameter cable & cable length upto 50 Meter

Features:

- ★ Adjustable cable bumpers allow varying cable length outside the reel
- ★ Latch mechanism guarantees de-reel cable will lock at desire length
- ★ constant tension reels available
- ★ Varying guide arm positions allow floor, wall, ceiling or any custom mount
- ★ Weather-proofed spring motor gasket ensure long life
- ★ Nylon guide roller eliminate cable pinching and reduce drag.

For More details visit our website

Cable Reel For Battery Charging



Metres of coiled cable Mètres de câble enroulé Aufgerollte Kabellänge m Metros de cable enrollado	Art.	Power Puissance Leistung Potencia	Cable reel IP-Code Degré IP enrouleur IP Schutzart des Leitungenrollers Grado IP enrollador	Nominal voltage Tension d'alimentation Anschlussspannung Voltage	Cable type Type du cable Kabel Typ Tipo di cable
6m (4,5+1,5)	4216	30A	IP42	MAX 48V	2x16 mm ² H05 VV-F
9m (7+2)	6216	30A	IP42	MAX 48V	2x16 mm ² H05 VV-F

Trolley for Spring Balancer



Model No.	Capacity	Weight
SPT-50	100 kg	
SPT-100	250 kg	
SPT-200	500 kg	

SPRING BALANCER



Sleek Model Spring Balancer



Closed Model Spring Balancer



Sleek Model Aluminium Spring Balancer



Model No.	Capacity	Rope(Mtr)	Model No.	Capacity	Rope(Mtr)	Model No.	Capacity	Rope(Mtr)
SPSB-1	0.5-1 Kg.	1.5	SPSB-3	1-3 Kg.	1.5	640	0.4-1 Kg.	1.6
SPSB-2	1-2 Kg.	1.5	SPSB-3L	1-3 Kg.	2.5	641	1-2 Kg.	1.6
SPSB-2L	1-2 Kg.	2.5	SPSB-5	2.5-5 Kg.	1.5	642	2-3 Kg.	1.6
SPSB-2.5	1.5-2.5Kg.	1.5	SPSB-5L	2.5-5 Kg.	2.5	643	2-4 Kg.	2.5
SPSB-3.5	2.5-3.5Kg.	1.5				644	4-6 Kg.	2.5
						645	6-8 Kg.	2.5
						646	8-10 Kg.	2.5
						647	10-14 Kg.	2.5

Aluminium Dia Casting Heavy Duty Spring Balancer



Model No.	Capacity	Rope(Mtr)	Model No.	Capacity	Rope(Mtr)	Model No.	Capacity	Rope(Mtr)
SPSB 09	4.5-9 Kg.	1.5	SPSB - 22	15-22 Kg.	1.7	SPSB 85	70 - 85 Kg.	1.5
SPSB 15	09-15 Kg.	1.5	SPSB - 30	22-30 Kg.	1.7	SPSB 100	85 - 100Kg.	1.5
			SPSB - 40	30 - 40 Kg.	1.7	SPSB 120	100-120 Kg.	1.5
			SPSB - 50	40 - 50 Kg.	1.7	SPSB 140	120-140 Kg.	1.5
			SPSB - 60	50 - 60 Kg.	1.7	SPSB 170	140-170 Kg.	1.5
			SPSB - 70	60 - 70 Kg.	1.7	SPSB 200	170-200 Kg.	1.5

IMPACT SOCKET & ACCESSORIES



Standard Sockets Hex



Impact Deep Sockets Hex



Impact Extension Bars



Sq. Drive	Socket Wrench A/F Size	Size	OAL (MM)
3/8"	6MM-24MM (METRIC) , 1/4"-1"(SAE)	3/8"	75, 100, 125, 150, 200, 250, 300
1/2"	8MM-32MM (METRIC) , 3/8"-1 1/4"(SAE)	1/2"	75, 100, 125, 150, 200, 250, 300
3/4"	19MM-80MM (METRIC) , 9/16"-3"(SAE)	3/4"	75, 125, 175, 210, 250, 330, 430
1"	27MM-85MM (METRIC) , 1 1/16"-3 1/2"(SAE)	1"	100, 125, 150, 180,
1 1/2"	36MM -120MM (METRIC) , 1 3/8"-5"(SAE)		200, 250, 330, 400
2 1/2"	60MM - 180MM (METRIC) , 2 1/4"-6 1/4"(SAE)	1 1/2"	150, 200, 300, 400, 500, 750

Sizes not mention above also available on request.

Square Drive Adaptors



Universal joint



Allen Head



Size	OAL (MM)	Size	OAL (MM)	Size	OAL (MM)	Size	Hex A/F	Length
3/8"F X 1/2"M	35	3/4"F X 1"M	64	3/8"	52	3/8"	4	100
3/8"F X 3/8"M	32	1"F X 3/4"M	70	1/2"	68	1/2"	5	100
1/2"F X 3/8"M	40	1"F X 1"M	75	3/4"	99	3/4"	10	100
1/2"F X 3/4"M	50	1"F X 1 1/2"M	75	1"	125	1"	15	100
1/2"F X 1/2"M	40	1 1/2F X 1"M	100					
3/4"F X 1/2"M	56	1 1/2F X 1 1/2"M	105					
3/4"F X 3/4"M	60							

Slugging Wrenches



Available in
Ring Type, Open Type, Offset Type
Size : 32mm - 115mm(1 1/4" -3 1/2")

Mechanical Torque Wrenches



Capacity:
170 Kg/M to 5000 Kg/M
0.3 Kg/M to 275 Kg/M

Mechanical Torque Multiplier



Capacity:
170 Kg/M to 5000 Kg/M
Rotation: 1:5, 1:25, 1:75

BIT HOLDER & INSERT BITS



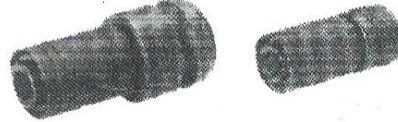
Extension Socket, 3/8" Sq.



Size : 3/8"
A/F : 8mm - 19mm
Length : 150mm

Adaptors-Quick Change Type

For Screwdriver Application with Impact Wrenches



Size
3/8" Square Drive X 1/4" hex
1/2" Square Drive X 1/4" hex

Magnetic insert bit holder

For Screwdriver Application with Impact Wrenches



Size
3/8" Square Drive X 1/4" hex

1/4" Hex Socket Bit



3/8" Hex Socket Bit



1/2" Hex Socket Bit



Model No.	Length(L)	Size	Model No.	Length(L)	Size	Model No.	Length(L)	Size
1873	30mm	H3	1920	50mm	H4	1993	60mm	H4
1874	30mm	H4	1921	50mm	H5	1994	60mm	H5

Size available upto H8.

Size available upto H10 & (L)-100mm

Size available upto H19 & (L)-140mm

Slotted Bit - Impact Type

Suitable for Impact Wrench



Philips Bit - Impact Type

Suitable for Impact Wrench



Length	Blade Thickness	Bit Body Dia.	Length	Blade Thickness	Bit Body Dia.
69.8	0.9	6.35	69.8	1	4.7
69.8	1.17	7.92	69.8	2	4.7
69.8	1.27	9.14	69.8	3	4.7

Slotted Bit - Impact Type

For use with magnetic insert bit holder



Philips Bit - Impact Type

For use with magnetic insert bit holder



Length	Size	Quantity Per Packet	Length	Size	Quantity Per Packet
25	1.0 - 6.0	5	25	PH1	5
25	1.2 - 6.5	5	25	PH2	5
			25	Ph3	5

ONE-TOUCH PNEUMATIC Q.R.C



HI-COUPLER Q.R.C. (C.S./S.S./BRASS)



Model No.	SF	SM	SH	SN	PF	PM	PH	PN
1/4" (20)	20SF	20SM	20SH	50SN 60SN	20PF	20PM	20PH	50PN 60PN
3/8" (30)	30SF	30SM	30SH	80SN	30PF	30PM	30PH	80PN
1/2" (40)	40SF	40SM	40SH	110SN	40PF	40PM	40PH	110PN

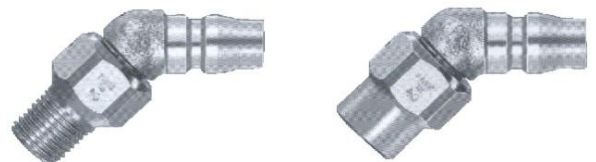
Rectus Type Q.R.C (Pneumatic Brass)



Model No.	SF	SM	SH	SN	PF	PM	PH	PN
1/4" (20)	20 SF	20 SM	20 SH	50 SN	20 PF	20 PM	20 PH	50 PN
3/8" (30)	30 SF	30 SM	30 SH	80 SN	30 PF	30 PM	30 PH	80 PN
1/2" (40)	40 SF	40 SM	40 SH	110 SN	40 PF	40 PM	40 PH	110 PN

Screw Type Hydraulic Q.R.C (Ball Type)

Rotary Plug(360° Swivel)



Size	Plug	Socket	Set	M.O.C	Size	Male	Female	M.O.C
G 1/4"	2PF	2SF	2PS	C.S	G 1/4"	RP 20	RF 20	C.S
G 3/8"	3PF	3SF	3PS	C.S	G 3/8"	RP 30	RF 30	C.S

HYDRAULIC Q.R.C



Double Check Value Q.R.C



Size	Plug	Socket	Set	M.O.C
1/4"	2PF	2SF	2SP	C.S / S.S / Brass
3/8"	3PF	3SF	3SP	C.S / S.S / Brass
1/2"	4PF	4SF	4SP	C.S / S.S / Brass
3/4"	6PF	6SF	6SP	C.S / S.S / Brass
1"	8PF	8SF	8SP	C.S / S.S / Brass

Working Pressure upto 200 Bar

HSP Q.R.C



Size	Plug	Socket	Set	M.O.C
1/4"	2PF	2SF	2SP	C.S / S.S / Brass
3/8"	3PF	3SF	3SP	C.S / S.S / Brass
1/2"	4PF	4SF	4SP	C.S / S.S / Brass
3/4"	6PF	6SF	6SP	C.S / S.S / Brass
1"	8PF	8SF	8SP	C.S / S.S / Brass

Working Pressure upto 210 Bar

Series ISO A - 7241



Size	Plug	Socket	Set	M.O.C
1/4"	2PF	2SF	2SP	C.S / S.S / Brass
3/8"	3PF	3SF	3SP	C.S / S.S / Brass
1/2"	4PF	4SF	4SP	C.S / S.S / Brass
3/4"	6PF	6SF	6SP	C.S / S.S / Brass
1"	8PF	8SF	8SP	C.S / S.S / Brass

Working Pressure upto 350 Bar

Flat Faced Coupler



Size	Plug	Socket	Set	M.O.C
1/4"	2PF	2SF	2SP	Carbon Steel
3/8"	3PF	3SF	3SP	Carbon Steel
1/2"	4PF	4SF	4SP	Carbon Steel
3/4"	6PF	6SF	6SP	Carbon Steel
1"	8PF	8SF	8SP	Carbon Steel

Working Pressure upto 350 Bar

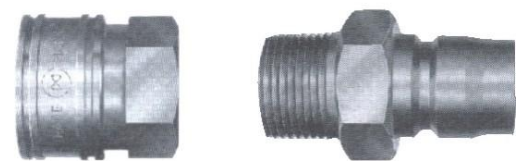
Series HPSC



Size	Plug	Socket	Set	M.O.C
1/4"	2PF	2SF	2SP	C.S / S.S
3/8"	3PF	3SF	3SP	C.S / S.S
1/2"	4PF	4SF	4SP	C.S / S.S
3/4"	6PF	6SF	6SP	C.S / S.S
1"	8PF	8SF	8SP	C.S / S.S

Working Pressure upto 1000 Bar

Straight Through Q.R.C.



Size	Plug	Socket	Set	M.O.C
1/4"	2PF	2SF	2SP	C.S / S.S / Brass
3/8"	3PF	3SF	3SP	C.S / S.S / Brass
1/2"	4PF	4SF	4SP	C.S / S.S / Brass
3/4"	6PF	6SF	6SP	C.S / S.S / Brass
1"	8PF	8SF	8SP	C.S / S.S / Brass

Working Pressure upto 50 Bar

***Note : We are manufacturing above model Q.R.C upto 2".For application Agriculture & Industrial Use.**

GUN & PNEUMATIC ACCESSORIES



Air Blow Gun



blow Gun, Nickel Plated Aluminium Body
Size: 1/4" BSP

High Pressure Water Gun



Water Gun in Aluminium & Brass
Size : 1/2" BSP

Filter Regulator Lubricator(FRL)



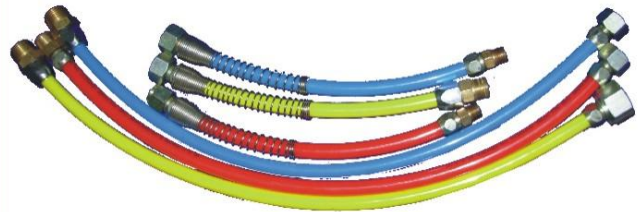
Size : 1/4", 1/2", 3/4", 1", 2" BSP

High Pressure Spray Gun



Spray Gun
Size: 1/2" BSP

PU - Leader Hose



As per Customer Requirement

PU Tube & Recoiled Hose



Tube OD (mm)	8	12	14	16
Recoil Length(Mtr)	3	5	7.5	10

Other Size of PU Tube & Recoil Hose are available as per customer requirement.

Pu Braided Tube



Tube ID	6	8	10	13
OD	8	12	14	18

TUBE W/P : 20 KG

Aluminium Manifold



The Manifold can design be spoke at the request of the customer and supply them already assembly. The manifolds can be manufactured with both systems.

Tire Inflation Gun

Tyre inflating Gun with Guage 60 MM, Double Scale 0-10 Bar with Pressure Release button, Flip on Connector & 300, 1000 MM Rubber hose, Size: 1/4" BSP.



TOOL TROLLEY & ACCESSORIES



Two Wheeler Post Lift



Pneumatic panel board & Hose reels hangers



Wall Mounting Hanger

Tool Trolley



As per customer requirement

Heavy Duty Mobile Oil Kit With Trolley



Oil Transfer unit and digital meter for 208 l drums, hose reel included, with special wheeled trolley suitable for rough surfaces, composed by:

- ★ Pneumatic pump R. 3:1
- ★ Pump adaptor for drums
- ★ 4 wheels trolley with grid
- ★ Flexible rubber hose L. 1 mt 1/2"
- ★ Automatic hose reel L. 10 mt, 1/2" with hose
- ★ Digital oil meter
- ★ FR regulator with condensate drainage and gauge

Pneumatic oil distribution Unit

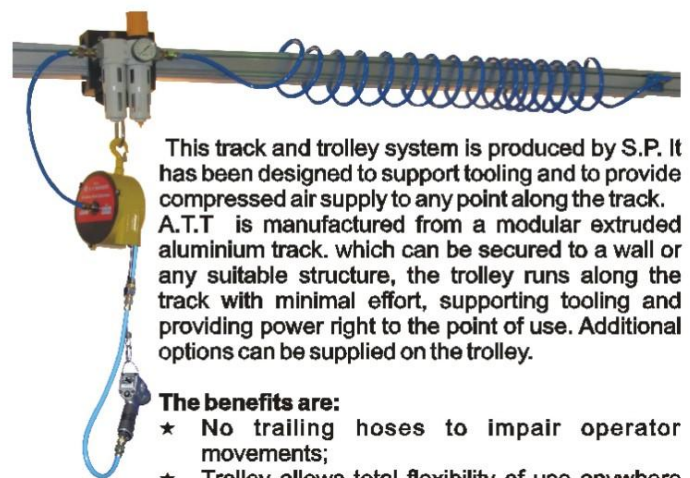


For 200 Ltr. drums on tanks service base

Container & Tank Service



Air Track Trolley



This track and trolley system is produced by S.P. It has been designed to support tooling and to provide compressed air supply to any point along the track. A.T.T is manufactured from a modular extruded aluminium track. which can be secured to a wall or any suitable structure, the trolley runs along the track with minimal effort, supporting tooling and providing power right to the point of use. Additional options can be supplied on the trolley.

The benefits are:

- ★ No trailing hoses to impair operator movements;
- ★ Trolley allows total flexibility of use anywhere along the track;
- ★ Supported tools improve operator comfort.

AIR TOOL BALANCER

for pistol type air tools

for straight screw driver

This Model is best suitable for pistol type Air tool, Ideal for fastening counter. reducing workers error and fastening troubles is coming to be important. So far, twin coil hoses are used for such the air tool. Now this new AIR TOOL BALANCER with Wire rope can be connected with a air tool directly, hang the Air Tool with wire rope and installing this equipment on the line makes the application simple. Finally coil hose problem will be cleared.

AIR TOOL BALANCER is ideal for automobiles assembling line on conveyor.

***Note : AIR TOOL BALANCER is available with ratchet lock & without ratchet lock.**

Model No.	Hose Size		Max Tube Length	Max. Pressure	Weight Capacity	
	ID MM	OD MM			Min.(kg)	Max.(kg)
SPATB2420	5.5	8	1.75 Mtr	12 Kg.	0.5	1.5
SPATB2425	6.5	10	1.75 Mtr	12 Kg.	0.5	1.5
SPATB2430	9	12	2 Mtr	10 Kg.	1.0	3.0
SPATB2431	9	12	2 Mtr	10 Kg.	2.5	5.0
SPATB2432	9	12	2 Mtr	10 Kg.	4.0	6.0

*** For More Detail's About Our Product's Please Visit Our Website**

Authorised Distributor for india

ZECA Italy
www.zeca.it

FLEXBIMEC Italy

www.flexbimec.com



S.P. AIR TOOLS PVT. LTD.

MFG. OF INDUSTRIAL AUTOMATION, PNEUMATIC & HYDRAULIC EQUIPMENTS

SALES OFF. : G-7, M. K. Industrial Estate, Sonawala Cross Road No.2, Goregaon (East), Mumbai - 400 063, Maharashtra.
Tel. : 022-26852243 / 2541 Telefax : 26852540. Email : info@spairtoolsindia.com Website : www.spairtools.in